



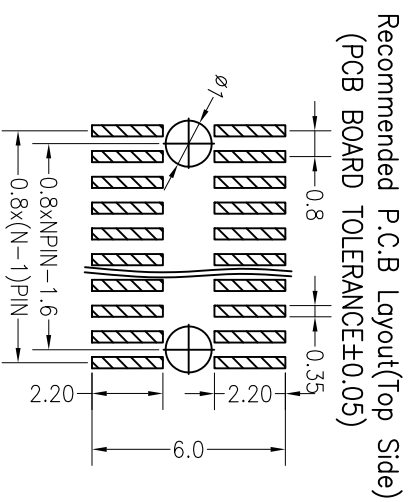
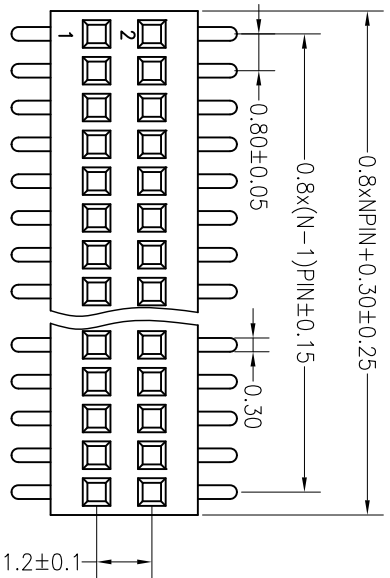
FILE NO.:E392910

SPECIFICATIONS

Rated Current:0.75AMP
 Contact Resistance:30mΩ Max
 Withstand Voltage:500V AC/DC
 Insulation Resistance:1000MΩ Min
 Operation Temperature:-40°c to +105°c

Contact Material:Phosphor Bronze
 Contact Plating:Au or Sn Over Ni
 Insulator Material:Polyester(UL94V-0)

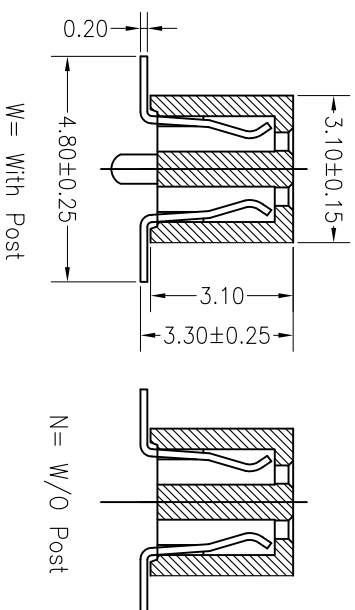
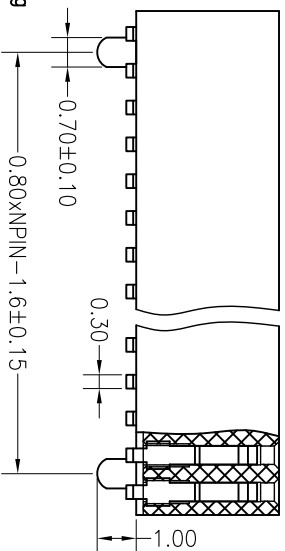
Standard: PA6T
 Max.Processing Temp: 230°C for 30-60 seconds
 (260°C for 10 seconds)



Ordering Information

2731 02 XX X XX M U X 01

- No. of Pins Per Row: 2*50
- Insulator Material Option: A=BK-PBT, B=BK-PA66, C=BK-PA6T, D=BK-PA46, E=BK-PA9T, F=BK-LCP
- Post: W=With Post, N=W/O Post
- Contact Plating: G1:1U" Gold, G2:1.5U" Gold, G3:2U" Gold, G4:3U" Gold, G5:5U" Gold, SN:Sn, SO:Gold Flash/Tin
- Packing: 0=PE Bag, A=Troy, T=Tube, P=Tube+Cap, R=Reel+Cap, M=Reel+Mylar, SN:Tin



JIN 深圳市锦凌电子有限公司
 SHENZHEN JINLING ELECTRONIC CO.,LTD
 Tel: 86-755-2997-5806/5802 Fax: 86-755-2997-5992

PART NO. 273102XXXXXXXXMU01

TITLE: 0.8PF 2xNPin H3.10 SMT

OPERATION		DRAW		SCALE		FIT	
DIM	TOL	APPROVE	YTYuSheng	UNIT	mm	SHEET	PROJ.
X.X	±0.30	CHECK	12.03.28	A4		1/1	
X.XX	±0.20						
X.XXX	±0.10						
Angle	±3°						

REV	DATE	MODIFICATION DESCRIPTION	CHANGE
A0	2012.03.28	NEW DRAWING	
1			