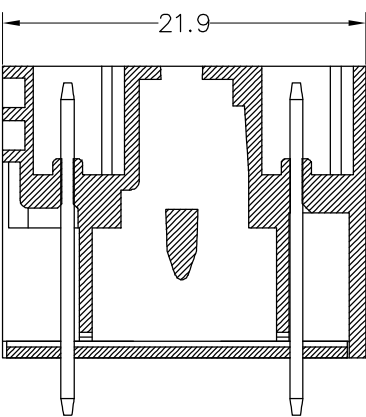
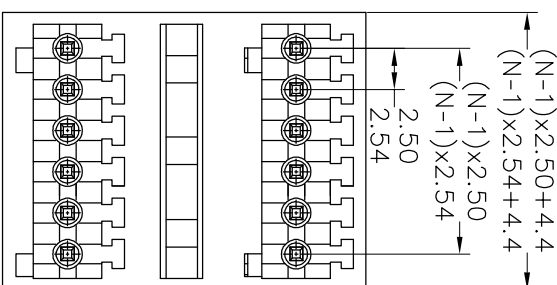
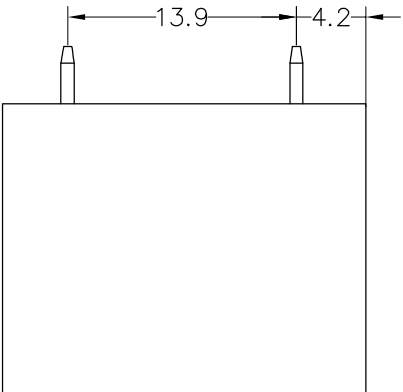


**SPECIFICATIONS**

Rated(额定参数): 125V,4A  
 Dielectric strength(抗电强度): AC1000V/1 Minute  
 Insulation Resistance(绝缘电阻):1000MΩ Min  
 Contact Resistance(接触电阻):20mΩ Max  
 Temp. range(操作温度): -40℃~+105℃  
 MAX Soldering(瞬时温度):+250℃,5s

Housing Material(塑件): PA66 (UL94 V-0)  
 Contact(端子): Brass, Tin plating(黄铜镀锡)

PITCH RANGE	NOMINAL DIMENSION RANGE										
	IN MM		IN MM		IN MM						
TO 6	OVER 6	TO 10	OVER 10	TO 30	OVER 30	TO 60	OVER 60	TO 100	OVER 100	TO 150	OVER 150
±0.10	±0.15	±0.25	±0.30	±0.30	±0.30	±0.50	±0.70	±0.70	±1.00		



SECTION A-A

**Ordering Information**

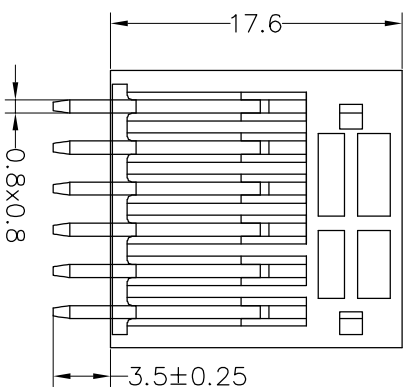
**JL15EDGVH-XXX XX G X 1**

Pitch  
250=2.5PH  
254=2.54PH

No. of pins  
2P~24P

Housing Color  
B=Black  
G=Green  
U=Blue  
R=Red  
W=White  
Y=Yellow  
O=Orange  
E=Grey

Packing  
0=Pe bog  
A=Troy  
T=tube



REV	DATE	MODIFICATION DESCRIPTION	CHANGE	OPERATION		DRAW	BEN	SCALE	FIT	PART NO.
				ANGLE	TOL					
A0	2017.01.05	NEW DRAWING		X.XX	±0.20	CHECK	17.01.05	mm	A4	JL15EDGVH-XXXXXXG1
1				X.XX	±0.10	APPROVE			1/1	2.50/2.54mm Pitch Male Pluggable Terminal Blocks

**JILIN** 深圳市锦凌电子有限公司  
 SHENZHEN JINLING ELECTRONIC CO.,LTD  
 Tel: 86-755-2997-5806/5802 Fax: 86-755-2997-5992