

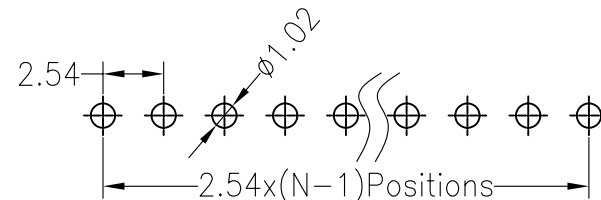
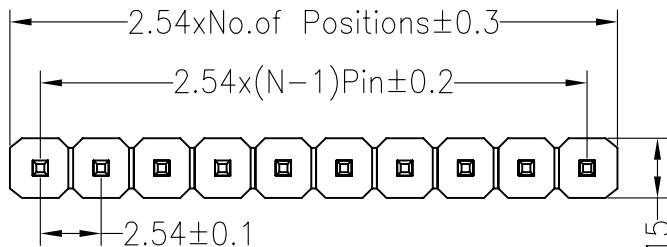


SPECIFICATIONS

Rated Current:3.0AMP
 Contact Resistance:20mΩ Max
 Withstand Voltage:1000V AC/DC
 Insulation Resistance:1000MΩ Min
 Operation Temperature:-40°C to +105°C

Contact Material:Brass
 Contact Plating:Au Over Ni
 Insulator Material:Polyester(UL94V-0)
 Standard: PA6T
 Max.Processing Temp: 230°C for 30-60 seconds
 (260°C for 5 seconds)

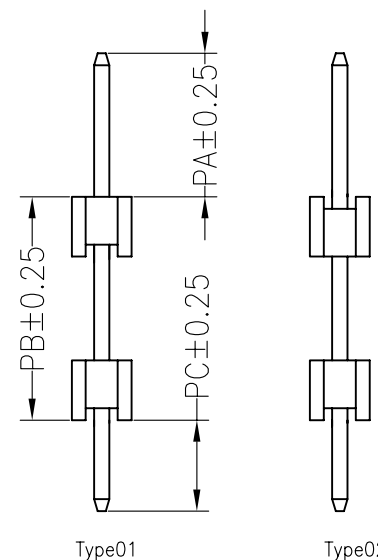
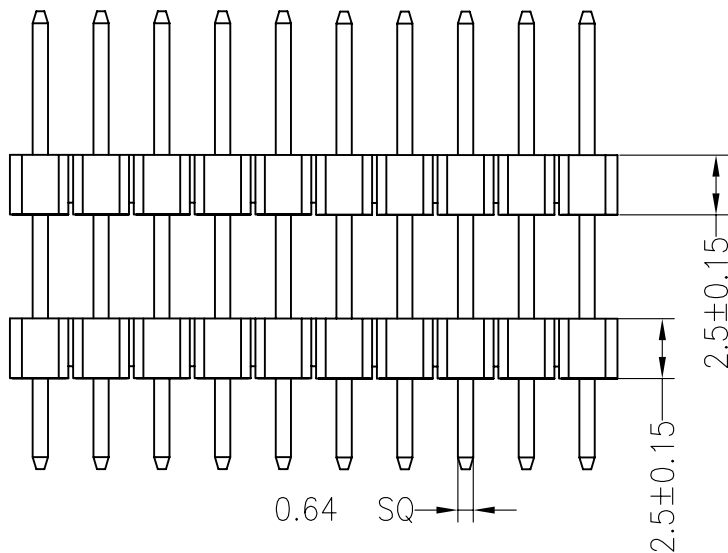
Recommended P.C.B Layout(Top Side)
 (PCB BOARD TOLERANCE±0.05)



Ordering Information

1225 21XX X N XX S XXX X 0X(1,2)

- No. of Pins Per Row 1x40
- Insulator Material Option
 A=BK-PBT
 B=BK-PA66
 C=BK-PA6T
 D=BK-PA46
 F=BK-LCP
- Contact Plating
 G0:Gold Flash
 G2:5U" Gold
 G3:10U" Gold
 G4:15U" Gold
 G5:30U" Gold
 S0:Gold Flash/Tin
 SN:Tin
- Pin Length
- Packing
 0=PE Bag
 A=Tray
 T=Tube



Dimension antitheses list				
ITEM	PA	PB	PC	L
Standard	6.00	5.00	3.00	14.0
Alternate				

				OPERATION		DRAW	YiYuSheng	15.01.28	SCALE	FIT	JiLN ® 深圳市锦凌电子有限公司 SHENZHEN JINLING ELECTRONIC CO.,LTD Tel: 86-755-2997-5806/5802 Fax: 86-755-2997-5992	
				X.X	±0.30				UNIT	mm		
						CHECK			SIZE	A4	PART NO. 122521XXXNXXSXXX0X(1,2)	
				X.XXX	±0.10				SHEET	1/1		
A0	2015.01.28	NEW DRAWING				APPROVE			PROJ.	◆	TITLE:	2.54PH H2.50mm Single 180° Npin
REV	DATE	MODIFICATION DESCRIPTION		CHANGE	DIM				TOL			