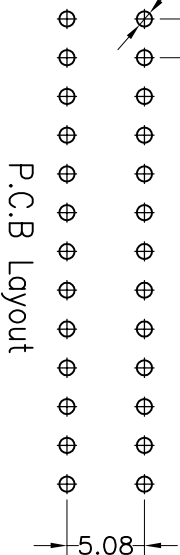
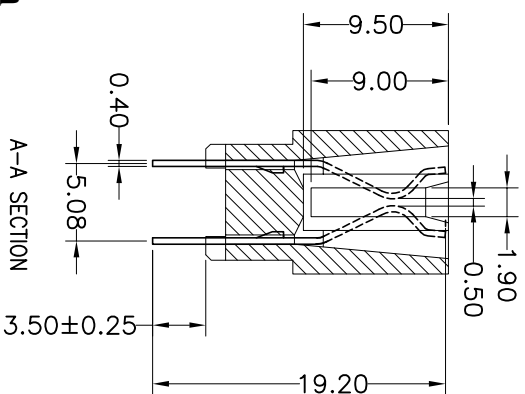
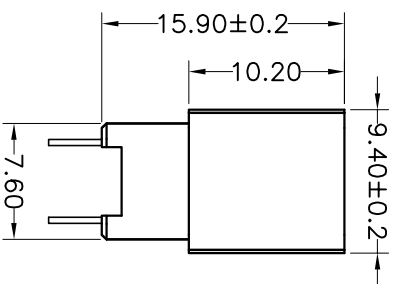
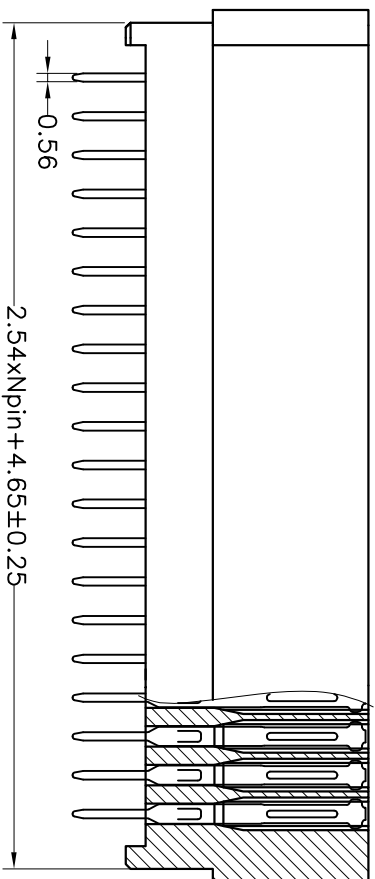
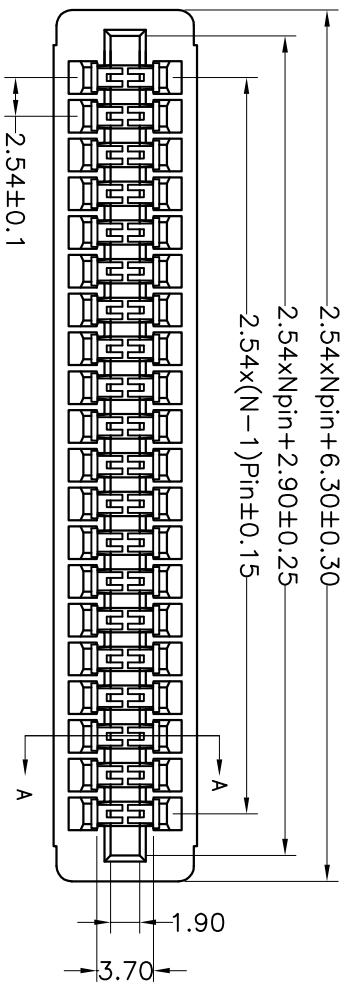


HSE ROHS



Ordering Information
5480 - XX B XX S B 01

No. of Pins: 06--98P
 Contact Plating: Sn:Gold Flash/Tin
 SK:7m

SPECIFICATIONS
 Rated Current: 3.0AMP
 Contact Resistance: 30mΩ Max
 Withstand Voltage: 1000V AC/DC
 Insulation Resistance: 1000MΩ Min
 Operation Temperature: -40°C to +105°C

Contact Material: Phosphor bronze
 Contact Plating: Au or Sn Over Ni
 Insulator Material: Polyester (UL94V-0)
 Standard: PBT
 Max. Processing Temp: 180°C for 30-60 seconds
 (200°C for 10 seconds)

| | | | | | | | | | |
|--------------------------|-------|----------|----------|-------|-----|-----|-----|---------------------------------|--|
| OPERATION | | DRAW | | SCALE | | FIT | | TITLE: | |
| X.X | ±0.30 | YYuSheng | 17.11.27 | UNIT | mm | A4 | 1/1 | PART NO. 5480-XXBXXSB01 | |
| X.XX | ±0.20 | CHECK | | SIZE | | | | SLOT 2.54mm H15.9 NPin 180° DIP | |
| X.XXX | ±0.10 | APPROVE | | SHEET | 1/1 | | | | |
| Angle | ±3° | | | PROJ. | | | | | |
| DIM | TOL | | | | | | | | |
| CHANGE | | | | | | | | | |
| MODIFICATION DESCRIPTION | | | | | | | | | |
| NEW DRAWING | | | | | | | | | |
| DATE | | | | | | | | | |
| 2017.11.27 | | | | | | | | | |
| REV | | | | | | | | | |
| A0 | | | | | | | | | |

JILIN 深圳市锦凌电子有限公司
 SHENZHEN JINLING ELECTRONIC CO.,LTD
 Tel: 86-755-2997-5806/5802 Fax: 86-755-2997-5892